



**VTC-IRX36/3895**  
**Varifocal IR Bullet Camera**  
**w/550 TV Lines**



VITEK

- 1/3" Super HAD High Resolution True Day/Night Color CCD
- 550 TVL (Color) / 580 TVL (B/W)
- 3.8~9.5mm / F1.2 Externally Adjustable Varifocal Auto Iris Lens
- 36 IR LEDs with 120' Range
- 0 Lux Operation (IR LEDs On)
- IP66 Weatherproof Rated
- 12VDC/24VAC Dual Voltage Operation

## **CONTENT VERIFICATION**

Prior to the installation of this cameras, please verify that the packaging contains the following:

1. One IRX36/3895 Camera
2. One Secondary Video Output Cable
3. One Sunshield
4. One Instruction manual
5. One Accessory Pack containing
  - a. Allen Wrench
  - b. Brass Screw Driver
  - c. Sunshield Thumb Set Screw

If any of the contents are missing, please contact the Vitek Customer Help Desk immediately.

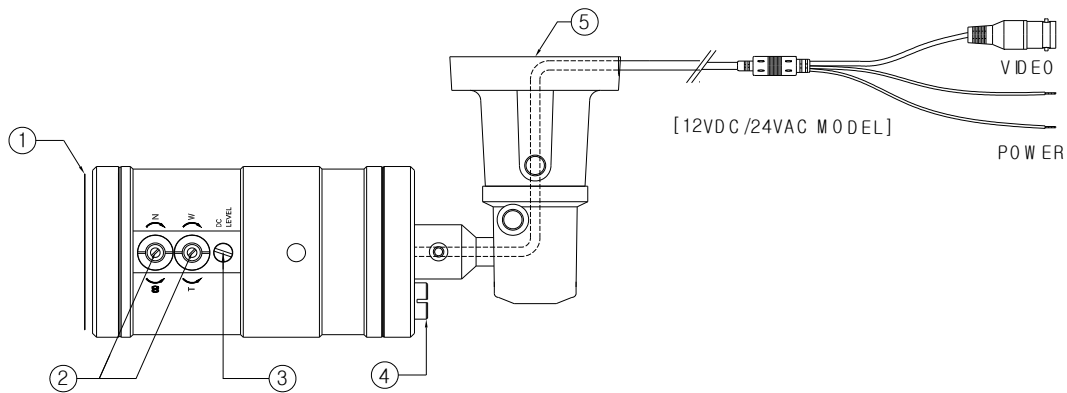
## FEATURE HIGHLIGHTS

### EMPHASIS ON USER FRIENDLINESS

The VTC-IRX36/3895 features Sony HQ1 technology with high resolution of 550 horizontal TV lines and weather resistant housing with easy external adjustment of camera features.

- Zoom and focus can be easily adjusted without opening the camera.
- External DC level controller provides easy iris adjustment for brightness control.
- Secondary video output adds convenience to the adjustment of the viewing angle, direction, brightness, focus and zoom adjustment after installation.
- Multi-directional mounting bracket allows installation of the camera virtually on any surface and feed-through minimizes potential vandalism while improving the aesthetics of the installation.
- ICR Vari-focal DC Auto Iris Lens at 3.8~9.5 mm F1.2

## VTC-IRX36/3895 LAYOUT / FUNCTIONS



### ① Protective Film over Front Glass

- The blue protective film must be removed before usage.

### ② Focus/Zoom Screws

- Adjust the angle of view by turning the zoom screw to “W” for wider field of view, and to “T” for narrower field of view.
- Adjust the focus screw to “N” or to “∞” until the sharpest focus is achieved.

### ③ DC Level Volume Cap

- Remove this cap to adjust DC Iris Level.
- Turn the DC lever clockwise for a brighter picture, and counter-clockwise for a darker picture.

### ④ Service Video Port

- Remove this cap and connect the supplied service monitor cable to connect to a VTM-LCD351 service monitor for final adjustments.

### ⑤ Feed-Through Mounting Bracket

- Use the supplied screws to mount bracket base to the desired location.

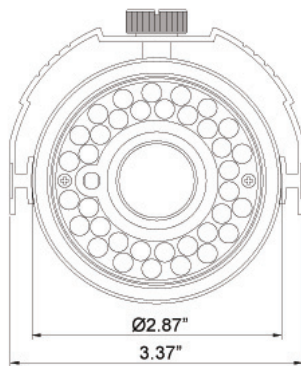
## WIRING CONNECTIONS

The camera should be powered by the following power supplies:

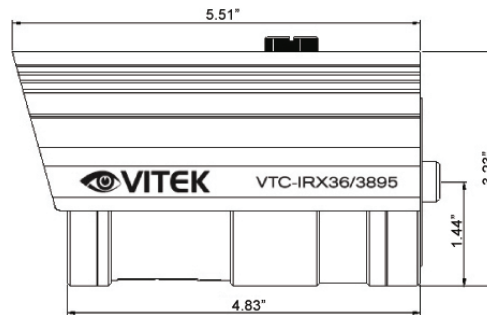
12VDC 1000mAmps or 24VAC 20VA, CSA Certified Class 2 Power Supply .

For optimum video signal, use 95% copper shielded coax cable. Twisted pair or Category 5e cable may also be used with optional VT-TR1M Passive Video Transceivers. Maximum cable distance for 95% copper braid coax is approximately 800 feet. For Category 5e or twisted pair, 1500 feet using VT-TR1M transceivers.

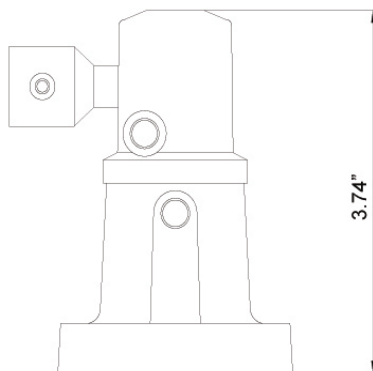
## DIMENSIONS



[ FRONT ]



[ BODY & SUN-SHIELD ]



[ BRACKET ]

## SPECIFICATIONS

Image Sensor	1/3" (Interline transfer type color CCD (SONY))
Effective Pixels	768H x 494V (380K pixels)
Scanning System	525 Lines 2 : 1 Interlace
Scanning Frequency	15.734KHz (H), 59.94Hz (V)
Resolution	550 TV – Lines , 580 TV – Lines (B/W)
Shutter Speed	1/60
S/N Ratio	More than 48dB (AGC Off)
Sync. System	Internal
Min. Illumination	0Lux (IR LED ON)
White Balance	ATW / AWC selectable
Video Output	VBS 1.0 Vp-p (75ohm load)
Lens	Vari-Focal DC Auto Iris IR Lens 3.8 ~ 9.5 mm F1.2
Power Supply	DC12V±10% / AC 24V±10%
Power Consumption	IR LED On / 600mA, IR LED Off / 240mA
Operating Temp.	14° ~ 122° F (-10° ~ + 50°)
Operating Humidity	90% RH max.
No. of I.R. LEDs	36 Pieces Infrared LED
Wave Length	850NM
Angles of I.R. LEDs	30°
Viewing Distance	Max 120 Feet
Dimensions	73mm (Ø) × 122mm (L) / 2.874 in. (Ø) x 4.803 in. (L)





28492 CONSTELLATION ROAD VALENCIA, CA 91355  
WWW.VITEKCCTV.COM | 888-VITEK-70